

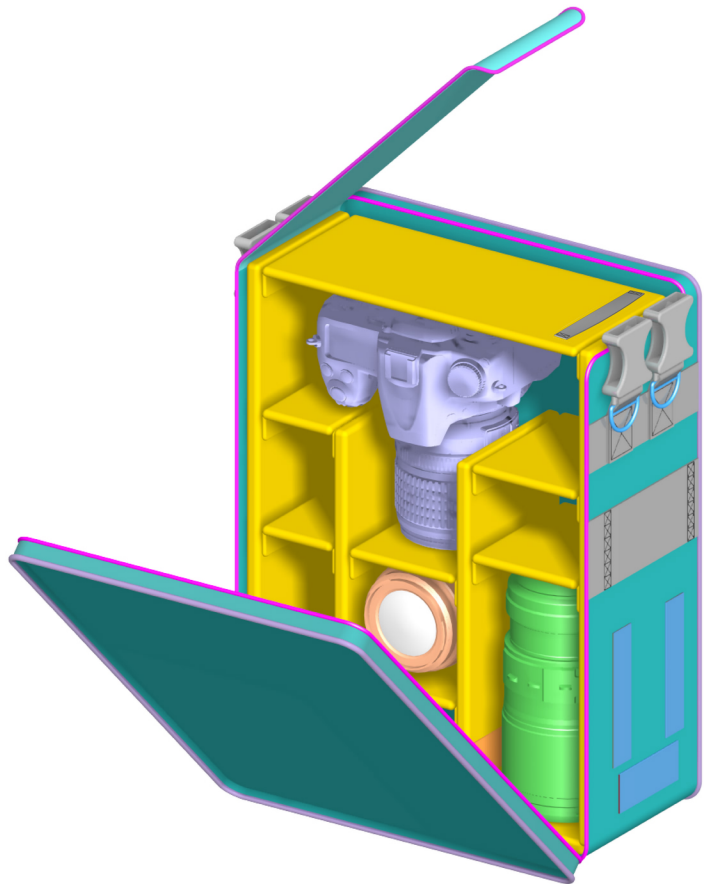


BrightLine Bags®

INSTRUCTION SHEET

for the

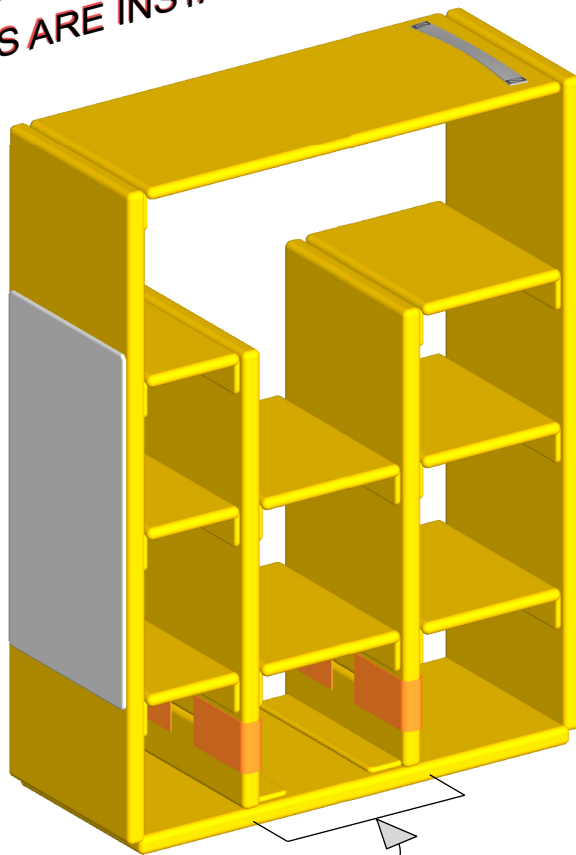
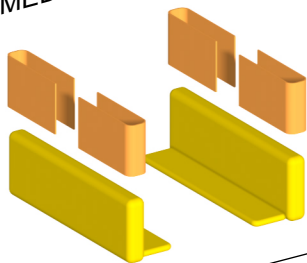
Camera Divider Kit



**THIS IS THE DEFAULT SET-UP.
MEDIUM RISERS ARE INSTALLED.**

**WITH THE "MEDIUM
RISERS" INSTALLED, THE
ENTIRE SET OF DIVIDERS
ARE SET AT AN
INTERMEDIATE POSITION.**

MEDIUM RISERS



MEDIUM RISERS INSTALLED

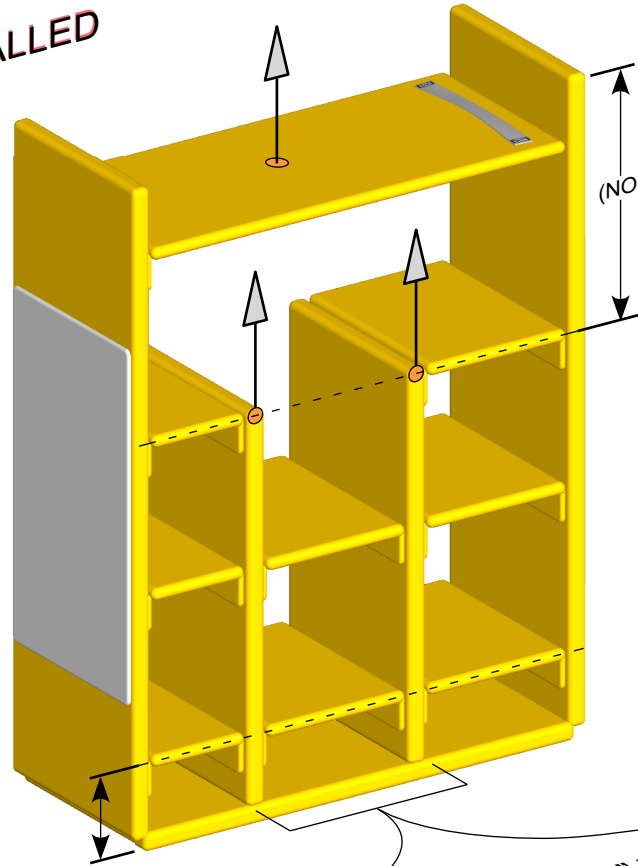
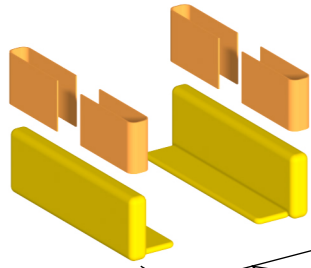
THE
FLEX
SYSTEM

OPTION 1: NO RISERS INSTALLED

WITH NO "RISERS",
THE ENTIRE SET OF
DIVIDERS CAN BE AT
THE LOWEST POSITION.

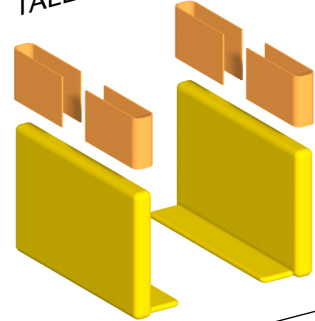
THIS MAKES ROOM FOR,
AND ALLOWS THE USE
OF, THE "SUNGLASSES"
POCKET ON THE TOP OF
THE CENTER SECTION.

MEDIUM RISERS



(NO RISERS INSTALLED)

TALL RISERS



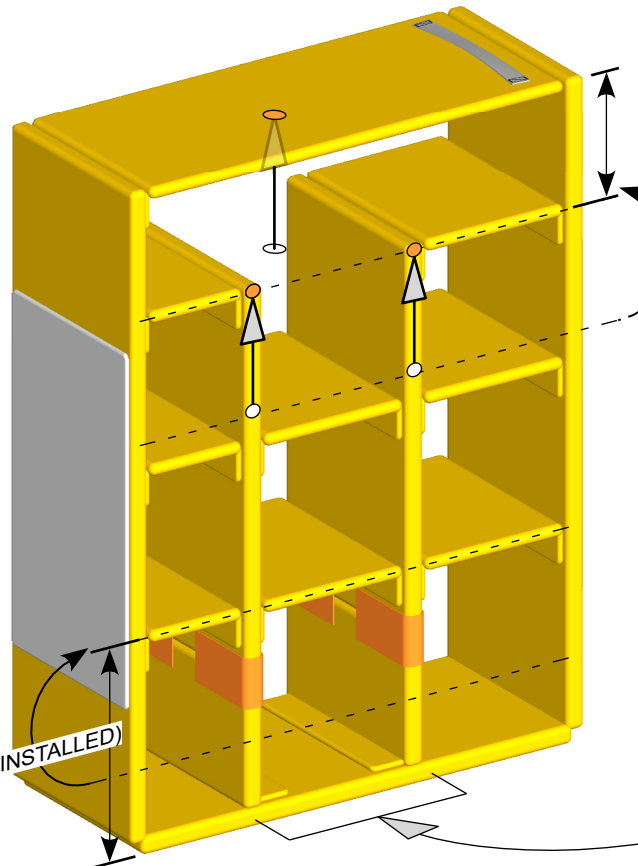
INSERT EITHER PAIR OF "RISERS" TO CHANGE THE
ELEVATION OF THE ENTIRE SET OF DIVIDERS.

OPTION 2: TALL RISERS INSTALLED

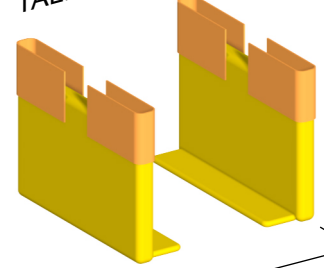
WITH THE "TALL
RISERS" INSTALLED,
THE ENTIRE SET OF
DIVIDERS CAN BE
AT THE HIGHEST
POSITION.

THIS MAY PREVENT
THE USE OF THE
SUNGLASSES POCKET
ON TOP OF THE
CENTER SECTION.

(TALL RISERS INSTALLED)



TALL RISERS





BrightLine Bags®

CDK ASSEMBLY INSTRUCTIONS

REMOVE FROM POLYBAG AND SEPARATE INTO TWO GROUPS OF ASSEMBLED PARTS

DETACH THE TWO TALL RISERS.

SET THE TWO TALL RISERS ASIDE. THEY ARE OPTIONAL.

EXPAND THE TWO PARTS

EXPAND THE TWO PARTS

JOIN AT THESE LOCATIONS

NARROW QTY 3

WIDE QTY 5

Tall Risers Qty 2

Medium Risers Qty 2